

ADIS

A U T O M A T I C D O O R S

I N T R O D U C E S

NGD SERIES

**AUTOMATIC TOILET DOOR SYSTEMS FOR
PEOPLE WITH DISABILITIES**



FOR BOTH SLIDING & SWING DOORS



The AUSTRALIAN Automatic Door Company

The Company

ADIS AUTOMATIC DOORS is a fully Australian owned and operated company.

The name ADIS simply means, Automatic Door Installation Services. The company has over 35 years of experience in the Automatic Doors Industry.

ADIS philosophy is provide a high quality product at a competitive price backed by the highest standard of back up service to achieve total customer satisfaction. The introduction of the Next Generation Series of Automatic Door operators is a major advancement in automatic doors technology in the Australian and global automatic door markets. This series includes the most advanced features available in the world.

ADIS research and design team have developed the NG series of door equipment to ensure maximum performance, durability and reliability, plus compatibility with the new Australian Standard AS 5007-2007 and European Standard DIN 18650-1:2005.

ADIS Automatic Doors have been successful in achieving the AUSTRALIAN DESIGN AWARD for excellence in product design & excellence in product efficiency.



Easy access



Swing door system



Sliding door system



Hospital application



Accessible door stop



NGU low profile sliding door



Modern designed obscured glazed glass

AUTOMATIC TOILET DOORS

The NGD toilet door system for people with disabilities has been designed to comply with disability discrimination laws and building code requirements to support and cater for people with disabilities to gain access to toilet facilities.

The NGD System can be fitted to sliding or swing doors dependent on the size and shape of the facility and the ability of a wheelchair to manoeuvre around the doorway and corridor.

The system is controlled by 2 control panels and an anti pass back circuit to ensure that the doors can only be locked whilst there is an occupant within the room.

Note: The design of swing applications should include safety sensors and convenient location of the control buttons to avoid the swing arc of the door.



Push button control panel for entry with emergency key switch



Internal push button control panel with illuminated lights

Functional description of the ADIS Disable toilet door system

After the pad switch has been operated, the toilet door opens and closes automatically upon lapse of a predetermined hold-open time.

By operating the changeover switch inside the toilet cabin, the user activates the illuminated sign "Occupied" outside the compartment as well as the control lamp at the changeover switch.

Simultaneously the interior and exterior pad is switched off and the lock is engaged. Thus the door can neither be opened by another person nor by the user himself by accident.

To leave lavatory, the user again operates the changeover switch, the sign "vacant" outside the compartment will appear illuminated.

By operating the interior pad switch "push open" the door will immediately open.

In the case of a power failure the swing door system can be opened manually by the user by pushing or pulling the door. The egress system for the sliding door is via a battery reserve which will allow normal egress by pushing the button on the illuminated panel.

In an emergency the door can also be manually opened from outside using a key.

Optional Emergency Call System

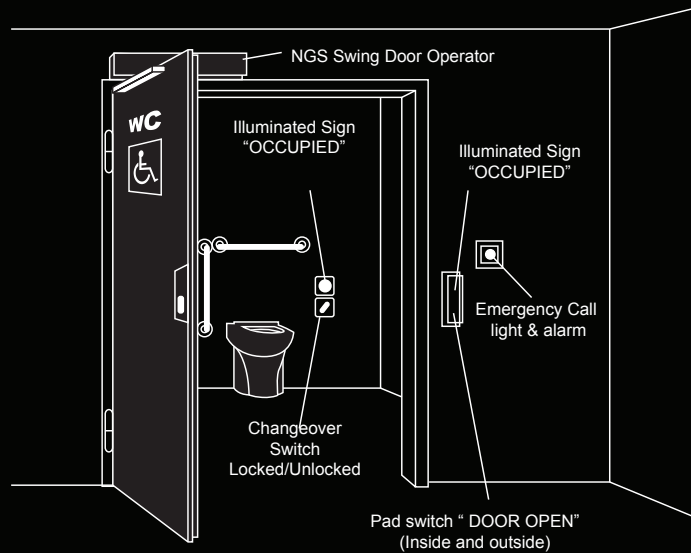
An optional emergency call button system is available to raise an alarm if mishap occurs whilst the toilet is occupied; this option has an emergency call button, audible alarm, strobe light and emergency key override for access.



Emergency Call Button.

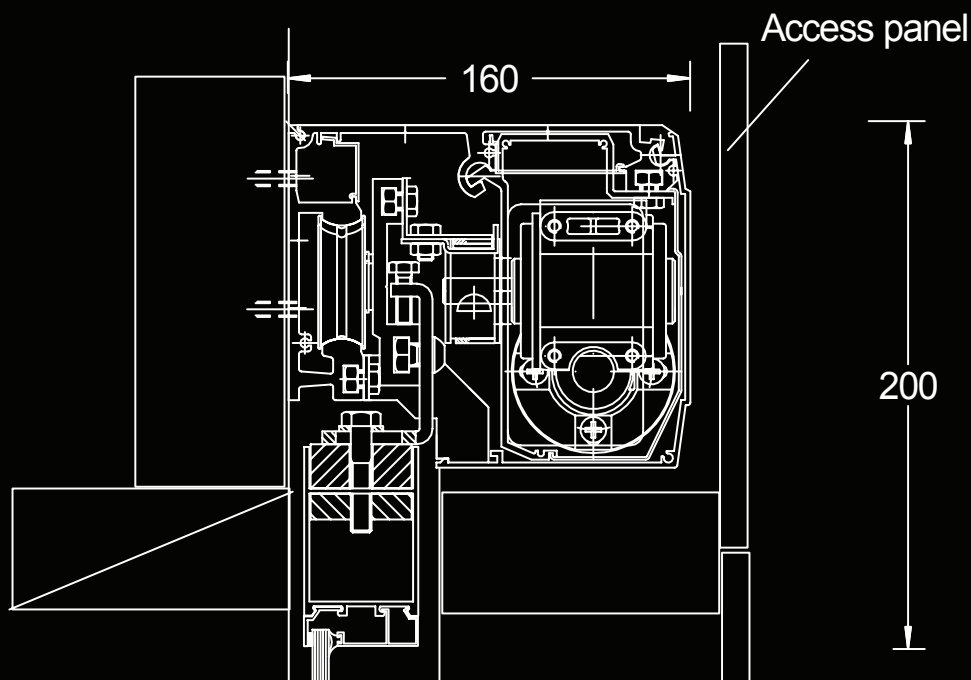


External strobe light and audible alarm.



NGD Model CW

Cavity wall installation



TECHNICAL SPECIFICATIONS

See NGA and NGU for sliding door details and
 NGS for swing door details

ADIS
 AUTOMATIC DOORS

3/413 VICTORIA STREET - WETHERILL PARK NSW 2164 AUSTRALIA

PHONE: +612 9757 4600 - FAX: +612 9757 4233

TOLL FREE PHONE: 1800 600 602 - TOLL FREE FAX: 1300 ADIS FAX

EMAIL: INFO@AUTODOORS.COM.AU

VISIT OUR WEBSITE: WWW.AUTODOORS.COM.AU